

DECORATIVE FLANGE

Cat. No.
350



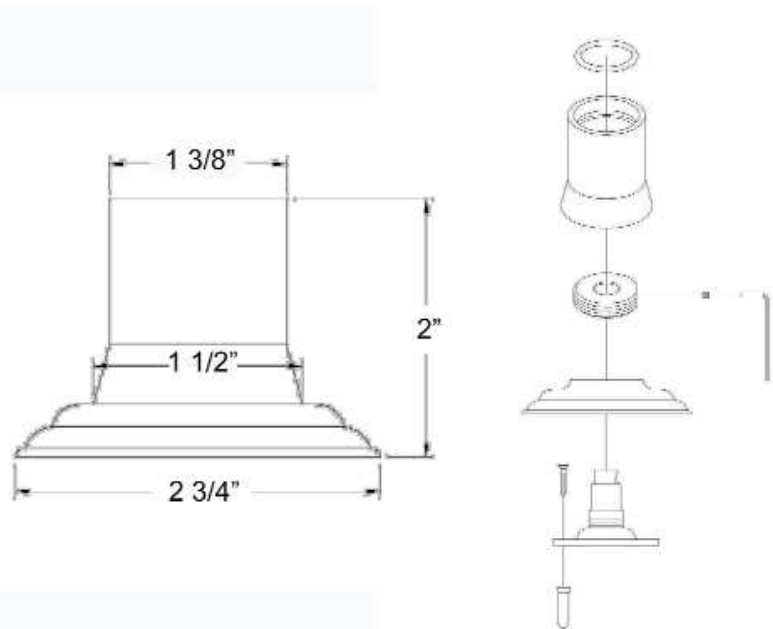
Base Diameter: 2 3/4"
Tube Diameter: 1 3/8"

Features:

- ▶ For use with 1" shower rods
- ▶ Sold in pairs
- ▶ Available in 5 finishes
- ▶ Use of ceiling supports required

Finishes:

- CP** Polished Chrome
- BP** Polished Brass
- ORB** Oil Rubbed Bronze
- PN** Polished Nickel
- SN** Brushed Nickel



Dimensions are nominal and may vary. Dimensions and specifications subject to change without notice.

INSTALLATION INSTRUCTIONS

Parts Included

- 2 Mounting Brackets • 2 Escutcheons • 2 Threaded Attachment Rings
- 2 Threaded Sleeves • 4 Wall Screws • 2 Anchors • Allen Wrench

Tools Needed

- Pencil • Drill • Measuring Tape • Screwdriver

1. Mark spot on wall where Flange will be attached.
2. Un-assemble Flange as shown in picture (A.)
 - a.) Un-thread "Threaded Sleeve" (1)
 - b.) Use Allen Wrench (5) provided to detach Ring (2)
 - c.) Un-thread Escutcheon (3)
3. Attach Mounting Bracket (4) to wall using anchors and screws provided.
4. Thread Escutcheon (3) onto Mounting Bracket (4) as shown in picture (B.)
5. Put Threaded Attachment Ring (2) onto Mounting Bracket (4) and tighten using Allen Wrench (5) provided as shown in picture (C.)
6. Thread "Threaded Sleeve" (1) onto Attached Ring (2) as shown in picture (D.)
7. Push shower rod into sleeve-internal O-Ring will hold rod in place.
8. We recommend use of ceiling supports to stabilize shower rod.

